

DATA SHEET

SAA2521

Masking threshold processor for
MPEG layer 1 audio compression
applications

Preliminary specification
File under Integrated Circuits, IC01

August 1993

**Masking threshold processor for MPEG
layer 1 audio compression applications**

SAA2521

FEATURES

- Stereo or 2-channel mono encoding
- Status may be read continuously
- Microcontroller interface
- I²S-interfaces
- Allocation algorithm including optional emphasis correction (for 44.1 kHz)
- Reduced power consumption
- 4 V nominal operating voltage capability.

GENERAL DESCRIPTION

The SAA2521 performs the adaptive allocation and scaling function for calculating the masking thresholds and sub-band sample accuracy in MPEG layer 1 applications. The SAA2521 is intended for use in conjunction with the stereo filter codec SAA2520.

ORDERING INFORMATION

| EXTENDED TYPE NUMBER | PACKAGE | | | |
|----------------------|---------|--------------|----------|-------------------------|
| | PINS | PIN POSITION | MATERIAL | CODE |
| SAA2521GP | 44 | QFP | plastic | SOT205AG ⁽¹⁾ |

Note

1. SOT205-1; 1996 August 23.

Masking threshold processor for MPEG
layer 1 audio compression applications

SAA2521

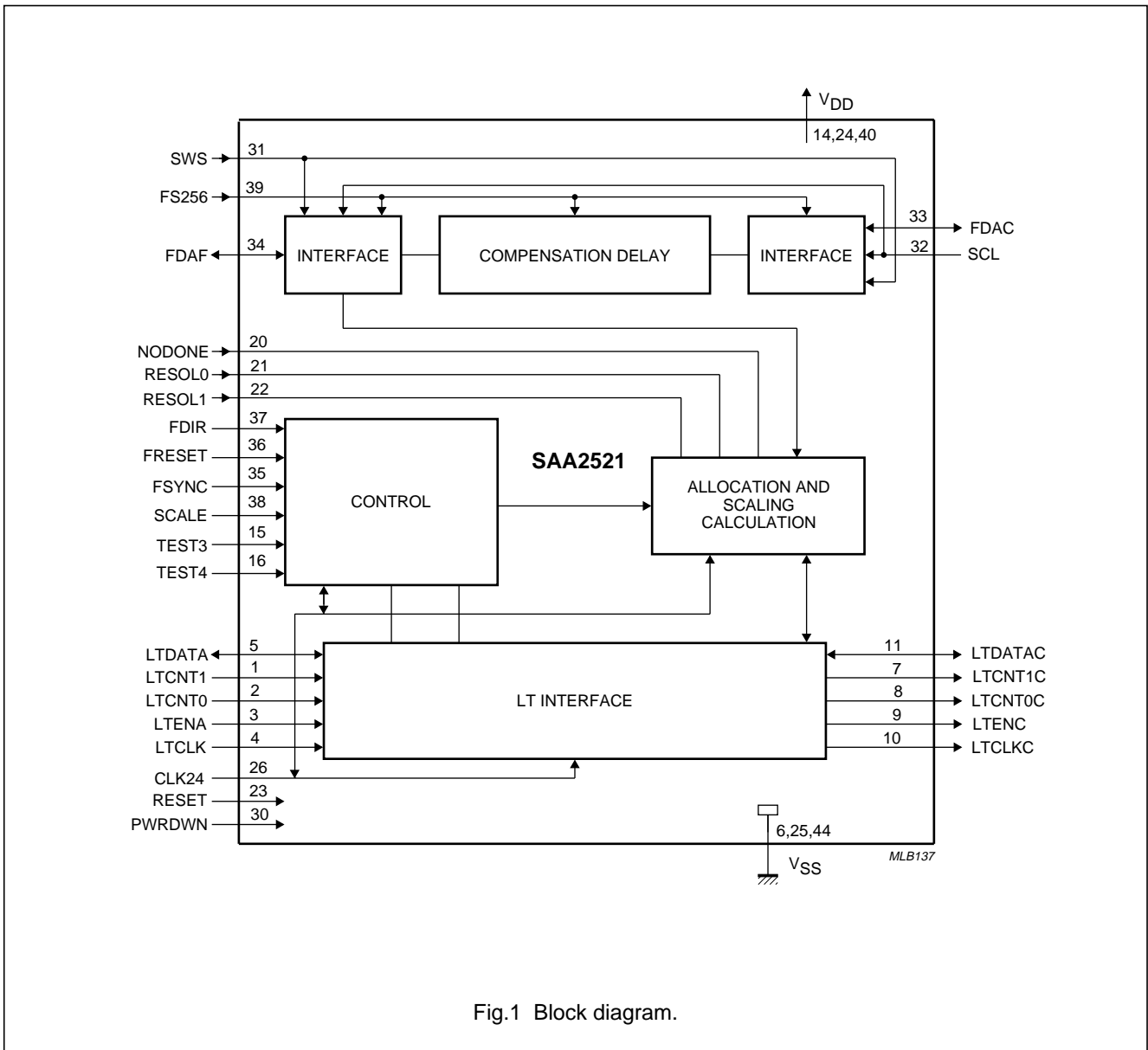


Fig.1 Block diagram.

Masking threshold processor for MPEG layer 1 audio compression applications

SAA2521

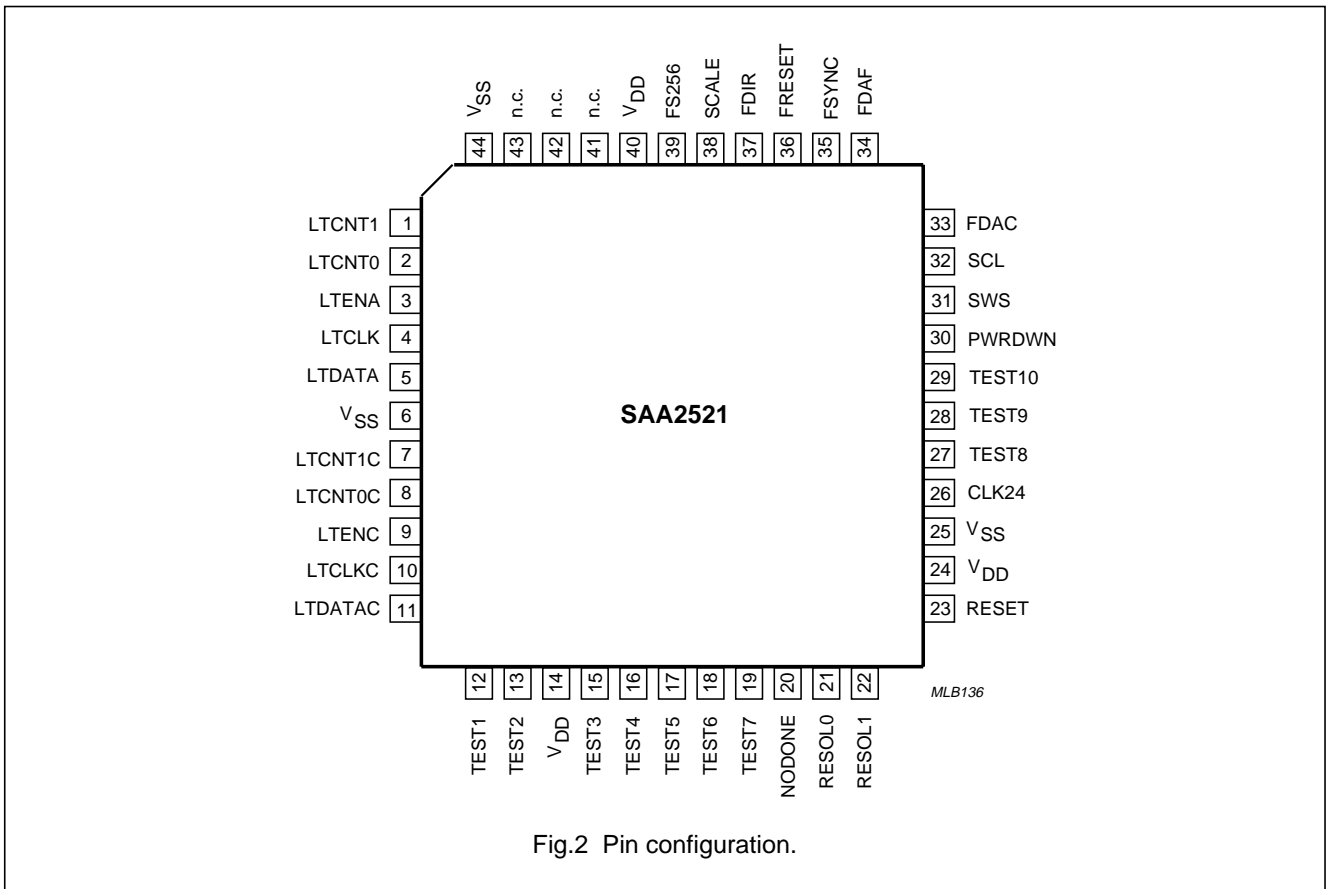


Fig.2 Pin configuration.

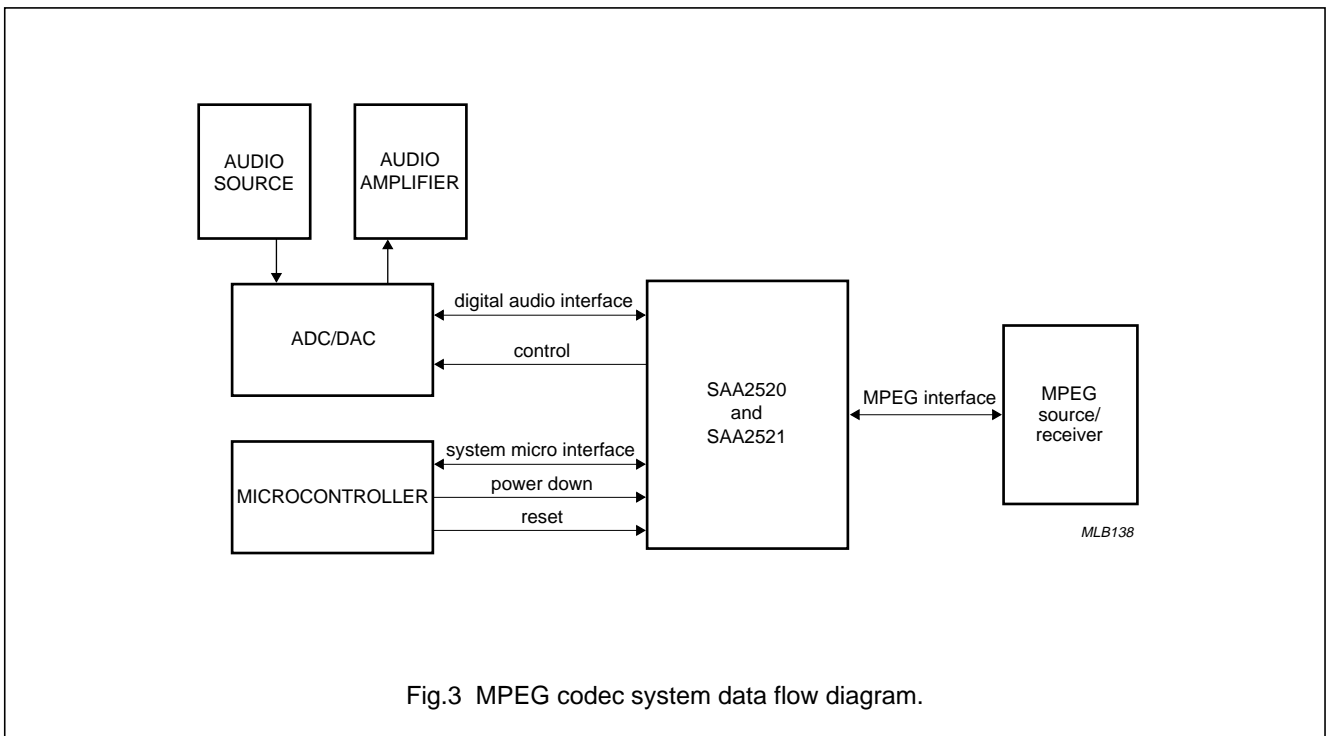


Fig.3 MPEG codec system data flow diagram.

Masking threshold processor for MPEG layer 1 audio compression applications

SAA2521

PINNING

| SYMBOL | PIN | DESCRIPTION | TYPE |
|-----------------|-----|--|------|
| LTCNT1 | 1 | mode control 1, microcontroller interface input | I |
| LTCNT0 | 2 | mode control 0, microcontroller interface input | I |
| LTENA | 3 | enable microcontroller interface input | I |
| LTCLK | 4 | bit clock microcontroller interface input | I |
| LTDATA | 5 | data, microcontroller interface (3-state inputs/outputs) | I/O |
| V _{SS} | 6 | supply ground (0 V) | |
| LTCNT1C | 7 | control 1; microcomputer interface | O |
| LTCNT0C | 8 | control 0; microcomputer interface | O |
| LTENC | 9 | enable microcontroller interface | O |
| LTCLKC | 10 | bit clock; microcontroller interface | O |
| LTDATAC | 11 | data; microcontroller interface, (3-state inputs/outputs) | I/O |
| TEST1 | 12 | test output; do not connect | |
| TEST2 | 13 | test output; do not connect | |
| V _{DD} | 14 | positive supply voltage (+ 5 V) | |
| TEST3 | 15 | test mode input; to be connected to V _{DD} | |
| TEST4 | 16 | test mode input; to be connected to V _{DD} | |
| TEST5 | 17 | test input; to be connected to V _{SS} | |
| TEST6 | 18 | test input; to be connected to V _{SS} | |
| TEST7 | 19 | test input; to be connected to V _{SS} | |
| NODONE | 20 | no done state selection input | I |
| RESOL0 | 21 | resolution selection 0 input | I |
| RESOL1 | 22 | resolution selection 1 input | I |
| RESET | 23 | active HIGH reset input | I |
| V _{DD} | 24 | positive supply voltage (+ 5 V) | |
| V _{SS} | 25 | supply ground (0 V) | |
| CLK24 | 26 | 24.576 MHz processing clock input | I |
| TEST8 | 27 | test input; to be connected to V _{SS} | |
| TEST9 | 28 | test input; to be connected to V _{SS} | |
| TEST10 | 29 | test input; to be connected to V _{SS} | |
| PWRDWN | 30 | power-down input | I |
| SWS | 31 | word selection input; (Filtered) - I ² S-interface | I |
| SCL | 32 | bit clock input; (Filtered) - I ² S-interface | I |
| FDAC | 33 | filtered data (Filtered) - I ² S-interface (3-state inputs/outputs) | I/O |
| FDAF | 34 | filtered data (Filtered) - I ² S-interface (3-state inputs/outputs) | I/O |
| FSYNC | 35 | sub-band synchronization on (Filtered) - I ² S-interface, input | I |
| FRESET | 36 | reset signal input from SAA2520 | I |
| FDIR | 37 | direction of the I ² S-interface; input | I |
| SCALE | 38 | scale factor index select (note 1) | I |
| FS256 | 39 | system clock input; sample frequency × 256 | I |
| V _{DD} | 40 | positive supply voltage (+ 5 V) | |

Masking threshold processor for MPEG layer 1 audio compression applications

SAA2521

| SYMBOL | PIN | DESCRIPTION | TYPE |
|-----------------|-----|---------------------|------|
| n.c. | 41 | not connected | |
| n.c. | 42 | not connected | |
| n.c. | 43 | not connected | |
| V _{SS} | 44 | supply ground (0 V) | |

Note to the Pinning Description

1. The scale input must be set LOW for use with the SAA2521.

FUNCTIONAL DESCRIPTION

Coding System

This efficient MPEG audio encoder is used in conjunction with the SAA2520 filter codec (bit rates of 384, 256, 192 and 128 k bits/s). The encoder utilizes a system producing sub-band samples from an incoming digital audio signal. This relies upon the audibility of signals above a given level and upon high amplitude signals masking those of lower amplitude. Although each sub-band signal is of approximately 750 Hz bandwidth, it possesses considerable overlap with those adjacent to it.

During the process of encoding, the masking threshold processor analyses the broadband audio signal at sampling frequency f_s by splitting it into 32 sub-band signals at a sampling frequency ($f_s/32$).

The coded signal consists of frames conveying the information corresponding to the sub-band samples. These also include a synchronization pattern identifying the start of each new frame. The allocation information for the 32 sub-bands is transferred as 4-bit values. If the amplitude of a sub-band signal is below the masking threshold it will be omitted from the coded signal.

The duration of a MPEG frame depends upon sampling frequency and is adjusted to 384 divided by f_s .

Adaptive Allocation and Scaling

The coding system calculates the masking power of the sub-band signals and adds the masking threshold. Sub-band signals with power below this threshold denote information to be discarded. Non-masked signals are coded using floating point notation in which a mantissa corresponds in length to the difference between peak power and masking threshold. The process is repeated for every MPEG frame and is known as the Adaptive Allocation of the available capacity.

Encoding Mode

Signal FDIR sets the data flow direction on the Filtered-I²S-interface. In the encoding mode (FDIR LOW) the device will accept samples from FDAF. These will be delayed by a number of sample periods depending upon the setting of the SCALE input. In the instance of operation with the SAA2520 (SCALE = logic 0) this delay will be 480 SWS periods. This will ensure alignment of the data with the computed allocations.

After the delay the samples will be presented on FDAC (pin 33). The circuit also performs all the calculations required to build the allocation table which is used in the codec (SAA2520). When used with the SAA2520 the calculated scale factor indices are sent via the LT interface. These operations are performed for every frame of the sub-band codec.

In order to synchronize with the codec and utilize the correct tables for the calculations the SAA2521 frequently requests the status of the codec. It monitors the bit-rate, sample frequency, operation mode and the emphasis information and uses the 'ready to receive' bit of the codec to determine the moment of the transfer of allocation information.

Decoding Mode

In the decoding mode (FDIR HIGH) the SAA2521 will take samples from FDAC which will be presented on the FDAF after a delay of 160 SWS periods. The LT interface between microcontroller and codec (SAA2520) will only be affected by the 'ready to receive' bit from the codec (SAA2520).

Masking threshold processor for MPEG layer 1 audio compression applications

SAA2521

Microcontroller Interface Operation

Information on the interface between microcontroller and codec (SAA2520) will flow in a regular sequence synchronized with the codec (SAA2520):

- with every FSYNC the SAA2521 will read the status of the codec (SAA2520)
- Following the calculation of the allocation and scale factors the SAA2521 will send the first allocation information unit (16-bits). It will then continuously read the codec (SAA2520) status to ascertain when it is able to receive further allocation information units. When the transfer of these units is complete the SAA2521 will send settings and (for SCALE = logic 0) scale factor indices.
- The extended settings will be sent to the codec as soon as possible after reception from the microcontroller.

The microcontroller communicates with the SAA2521 in a similar fashion:

- status can be read continuously. The SAA2521 will output a copy of the codec (SAA2520) status on the LTDATA line except for the 'ready to receive' bits which are generated by the SAA2521. These indicate whether the SAA2521 is ready to receive the next settings or extended settings.
- settings can be sent following every occasion that the 'ready to receive' bit 'S' changes to logic 1.
- extended settings can be sent following each occasion that the 'ready to receive' bit 'E' changes to logic 1.

Mode Control

Operation is controlled by the FRESET and FDIR signals. FRESET causes a general reset. The FDIR signal is sampled at the falling edge of the FRESET signal to determine the operation mode:

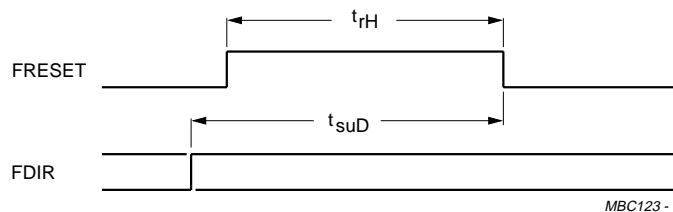
| | |
|----------------|---|
| FDIR = logic 1 | decoding mode, SAA2521 in feed-through mode |
| FDIR = 0 | encoding mode, SAA2521 in calculation mode |

Fig.4 shows the timing diagram for FRESET and FDIR.

Resolution Selection

The (SAA2521) is designed for operation with input devices (ADCs) which may possess a different sample resolution capability, i.e. audio sample inputs into the sub-band filters. Pins RESOL0 and RESOL1 (respectively pins 21 and 22) may be utilized to adjust the allocation information calculation to the resolution of the samples.

With the instance of pin 20 (NODONE) being HIGH, all available bits in the bit-pool will be allocated. If NODONE is LOW, no bits will be allocated to the sub-bands with energy levels below the theoretical threshold for the selected resolution.



MBC123 - 1

$T_{rH} > 5T_{CLK24} = 210 \text{ ns}$ (for $CLK24 = 24.576 \text{ MHz}$) min. time FRESET HIGH
 $T_{sD} < 0 \text{ ns}$ min. set-up time FDIR to FRESET = LOW

Fig.4 Timing: FRESET and FDIR.

Masking threshold processor for MPEG layer 1 audio compression applications

SAA2521

Power-down Mode Switching

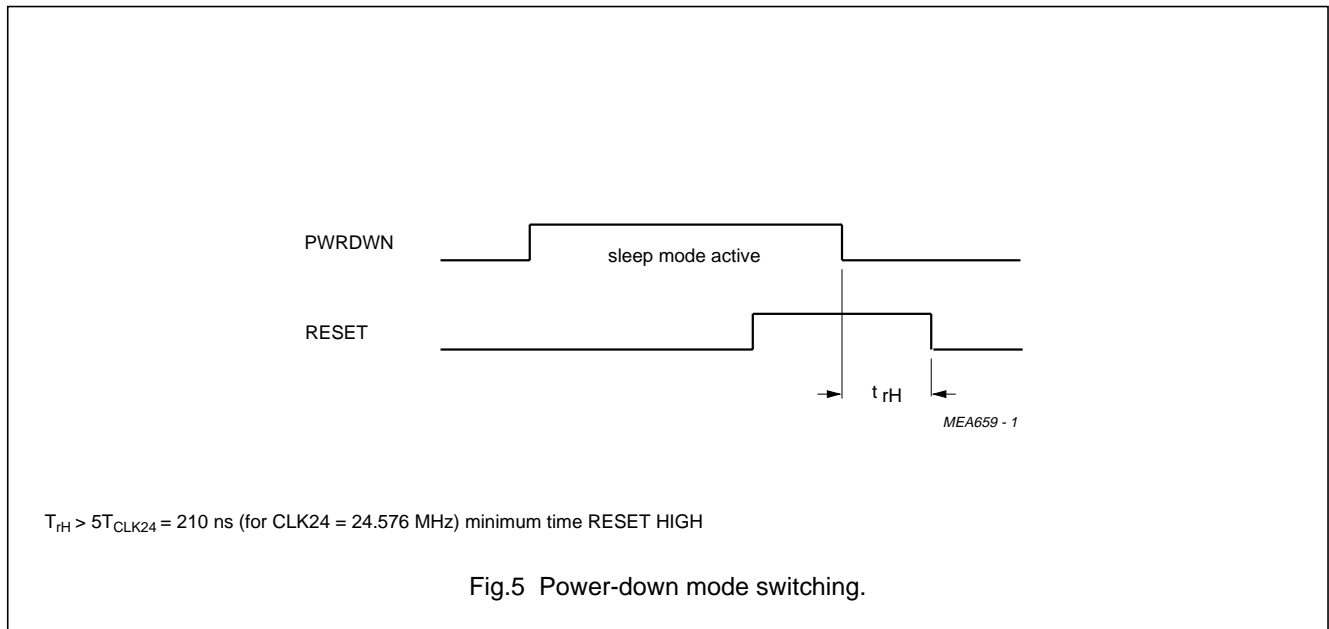
When the potential on the RESET pin (pin 23) is held HIGH for at least $5T_{CLK24}$ clock periods, the device will be reset after which it will operate in its decoding mode.

The power-down mode is activated when the PWRDWN pin (pin 30) is held HIGH. The 3-state buffers will be set to a high impedance while the normal outputs will retain the state attained prior to this mode being entered. This mode can only be used if other associated circuits react accordingly. The power-down mode is de-activated by a reset action.

Fig.5 shows the operation for the power-down mode switching.

Table 1 Resolution selection.

| RESOL1 | RESOL0 | RESOLUTION |
|--------|--------|------------|
| 0 | 0 | 16-bits |
| 0 | 1 | 18-bits |
| 1 | 0 | 14-bits |
| 1 | 1 | 15-bits |



Masking threshold processor for MPEG
layer 1 audio compression applications

SAA2521

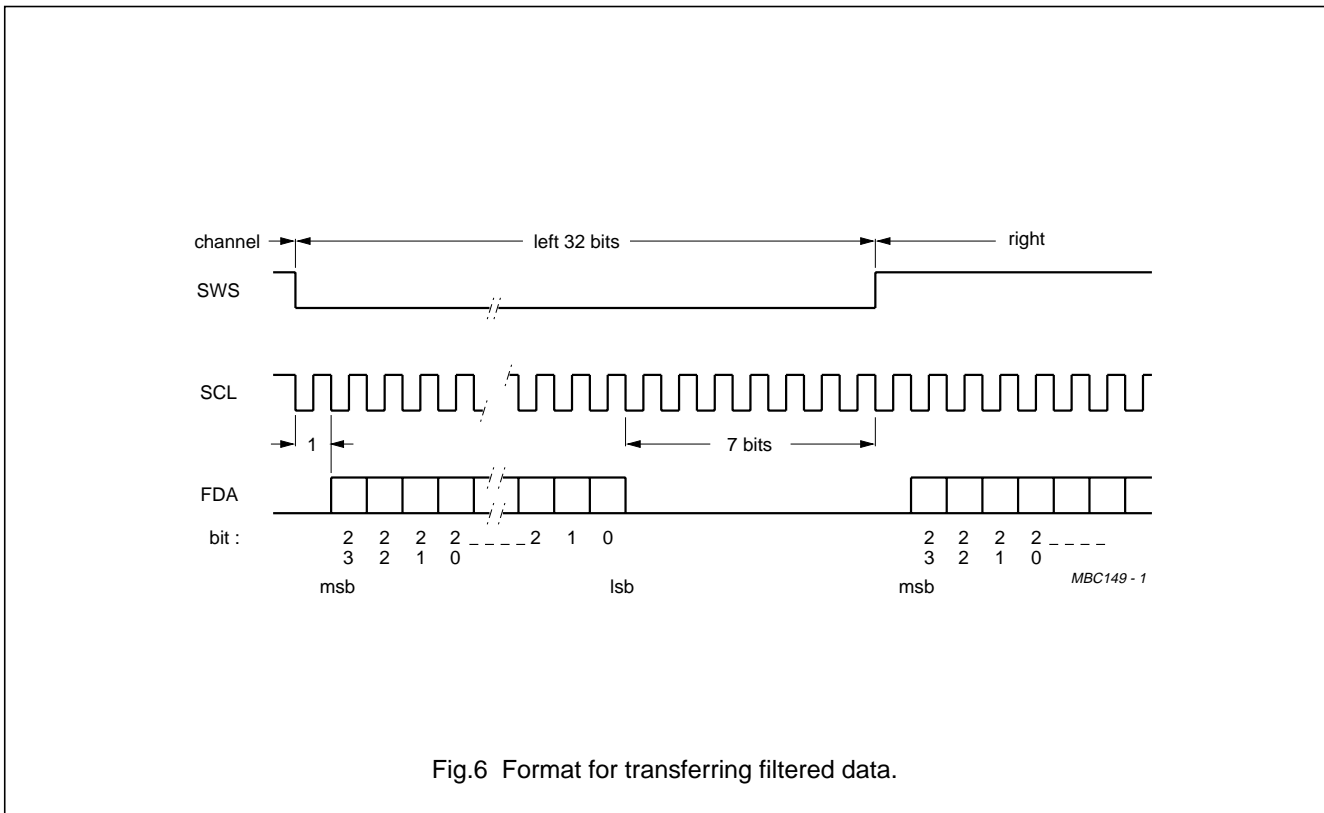


Fig.6 Format for transferring filtered data.

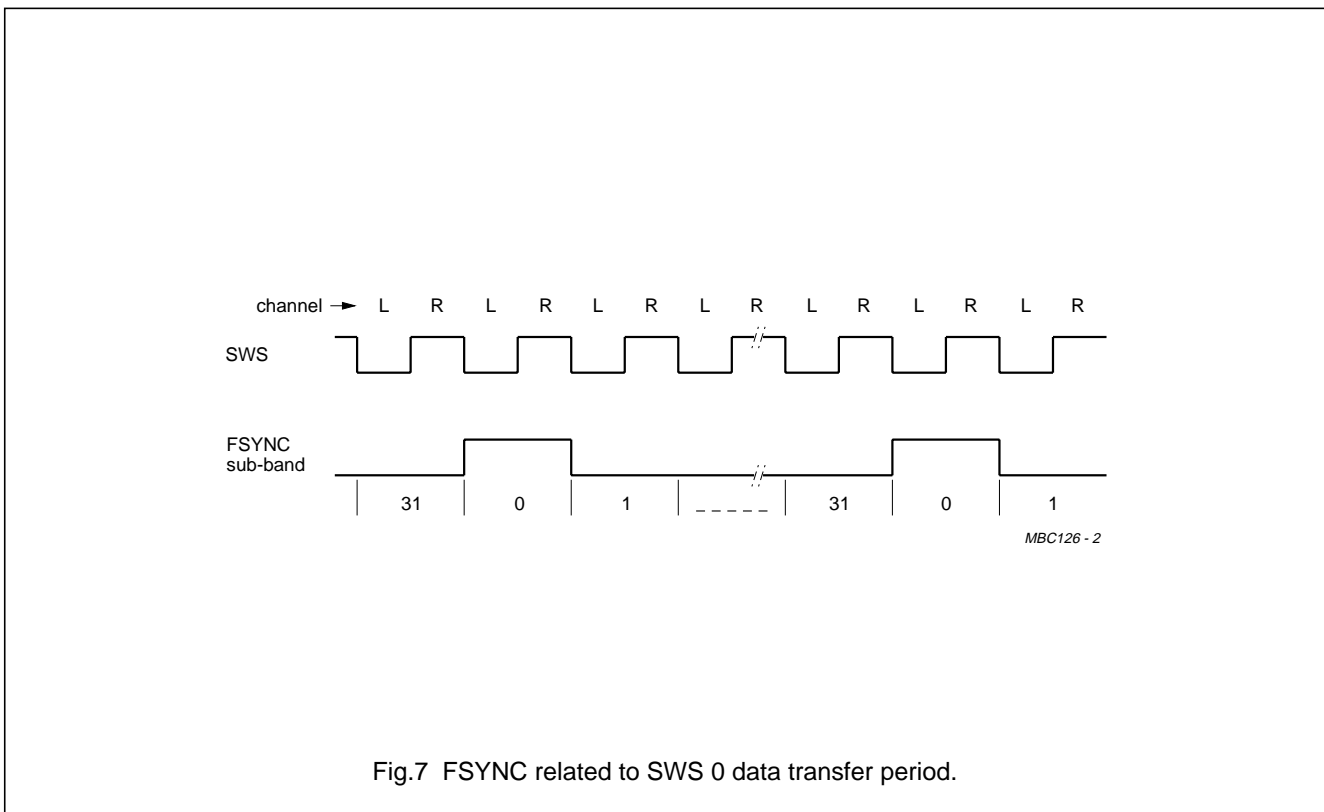


Fig.7 FSYNC related to SWS 0 data transfer period.

Masking threshold processor for MPEG layer 1 audio compression applications

SAA2521

Table 2 The (Filtered) - I²S-interface.

| | | | |
|-------|----------------|---|----------|
| SWS | input | word selection | F_s |
| SCL | input | bit clock | $64 F_s$ |
| FDAF | bi-directional | filtered data to/from the filter section of SAA2520 | |
| FDAC | bi-directional | filtered data to/from the codec section of SAA2520 | |
| FSYNC | input | filter synchronization | $F_s/32$ |

Table 3 The (Filtered) - I²S-interface.

| | | |
|--------|-------|--|
| FRESET | input | reset |
| FDIR | input | Filtered - I ² S-interface direction of data flow |

(Filtered) - I²S-interfaces

Interfaces with the sub-band filter and codec (SAA2520) consist of the following signals.

Fig.6 shows the format for transferring filtered data.

F_s 256 must be provided as system clock. This frequency is used by the interfaces with the SAA2520.

The frequency of the SWS signal (pin 31) is equal to the sample frequency F_s . Bit clock SCL (pin 32) is 64 times the sample frequency; thus each SWS period contains 64 data bits, 48 of which are actually used in data transfer. The half period during which SWS is logic 0 is used to transfer Left-channel information while that during which it is 1 permits transfer of Right-channel data.

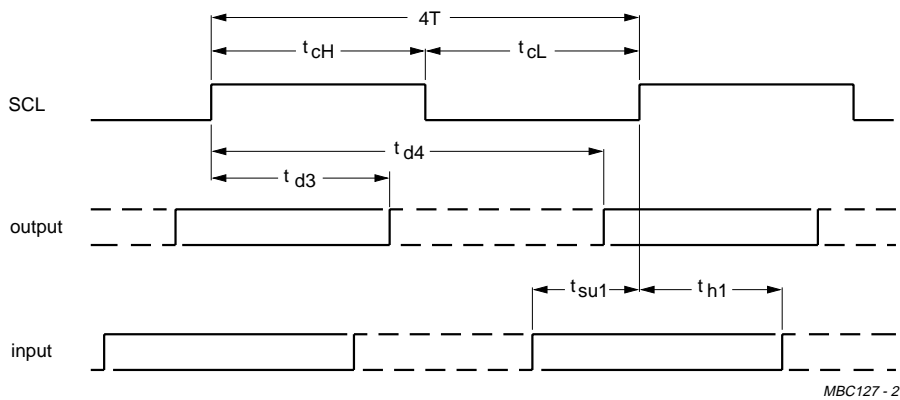
The 24-bit samples are transferred with the most significant bit first. This bit is transferred during the bit clock period, one bit time after the change in SWS.

FSYNC signal is provided for the purposes of synchronization and indicates the portion of the SWS period during which the samples of sub-band 0 are transferred.

Fig.7 shows the relationship between FSYNC and the SWS 0 data transfer period.

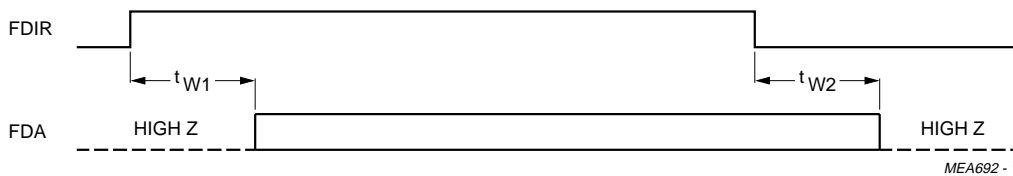
Masking threshold processor for MPEG
layer 1 audio compression applications

SAA2521



MBC127 - 2

OUTPUT applies to FDAF and FDAC in the output mode.
 INPUT applies to FDAF and FDAC in the input mode, SWS and FSYNC.
 T = one F_s256 cycle time
 t_{cH} ≥ T + 35 ns minimum HIGH time SCL
 t_{cL} ≥ T + 35 ns minimum LOW time SCL
 t_{d3} ≥ 2T - 10 ns hold time output after SCL HIGH
 t_{d4} ≤ 3T + 60 ns delay time output after SCL HIGH
 t_{su1} ≥ 20 ns set-up time input before SCL HIGH
 t_{h1} ≥ T + 35 ns hold time input after SCL HIGH



MEA692 - 1

t_{w1} ≥ 3T minimum time high impedance to FDA enabled
 t_{w2} ≥ 2T + 35 ns maximum time FDA enabled to high impedance

Fig.8 (Filtered) - I²S-interface timing.

Masking threshold processor for MPEG layer 1 audio compression applications

SAA2521

Table 4 SAA2521 interface with microcontroller.

| | | |
|--------|----------------|----------------|
| LTCLK | input | bitclock |
| LTDATA | bi-directional | data |
| LTCNT0 | input | control line 0 |
| LTCNT1 | input | control line 1 |
| LTENA | input | enable |

Table 5 SAA2521 interface with SAA2520.

| | | |
|---------|----------------|----------------|
| LTCLKC | output | bit clock |
| LTDATAC | bi-directional | data |
| LTCNT0C | output | control line 0 |
| LTCNT1C | output | control line 1 |
| LTENC | output | enable |

Table 6 SAA2521 interface control lines functions.

| LTCNT1(C) | LTCNT0(C) | MODE | FROM | TO | TRANSFER OF |
|-----------|-----------|-----------------------|-----------------|-----------------|-----------------|
| 0 | 0 | extended settings | microcontroller | SAA2520 | 8-bits |
| 0 | 1 | allocation (see note) | SAA2521 | SAA2520 | 16/48 × 16-bits |
| 1 | 0 | settings | microcontroller | SAA2520 | 16-bits |
| 1 | 1 | status | codec | microcontroller | 8 or 16-bits |

Microcontroller Interface

Two microcontroller interfaces are provided; one for connection to the microcontroller interface of the SAA2520, the other to connect to the system controller. Information is conveyed via the SAA2521 which executes monitoring and extracts signals (e.g. settings and synchronization) essential to its operation. Additionally it also sends allocation information to the SAA2520. However, the SAA2521 does not monitor the external settings bits from the microcontroller (see Extended Settings).

The SAA2521 is a slave on the interface with the microcontroller which is active only when the enable signal LTENA (pin 3) is logic 1. This permits connection of this interface to other devices. Only the enable signal is not common to all devices.

SAA2521 is master on the interface with the SAA2520 and provides all signals with the exception of the data in the instance of status transfer from SAA2520 to SAA2521.

Information conveyed via these interfaces is transferred in 8 or 16-bit serial units with the type of information designated by the control lines (LTCNT1(C) and LTCNT0(C)).

A transfer of information begins when the master sets the control lines for the required action. It then sets the LTENA/C line to logic 1. Once this signal is established the slave determines the kind of action required and prepares for the transfer of data.

When the master supplies the LTCLK/C signal, data is transferred either to or from the slave in units of 8-bits; the least significant bit is always transferred first. A transfer of 16-bits is made in two, 8-bit units with the most significant 8-bit unit first. In between the two 8-bit units the LTENA/C signal remains logic 1.

Fig.9 shows an example of information transfer via SAA2521 interfaces.

Note to Table 6

This mode only on the interface between SAA2521 and SAA2520.

If SCALE = logic 1 then 16 × 16-bits

If SCALE = logic 0 then 48 × 16-bits

Masking threshold processor for MPEG layer 1 audio compression applications

SAA2521

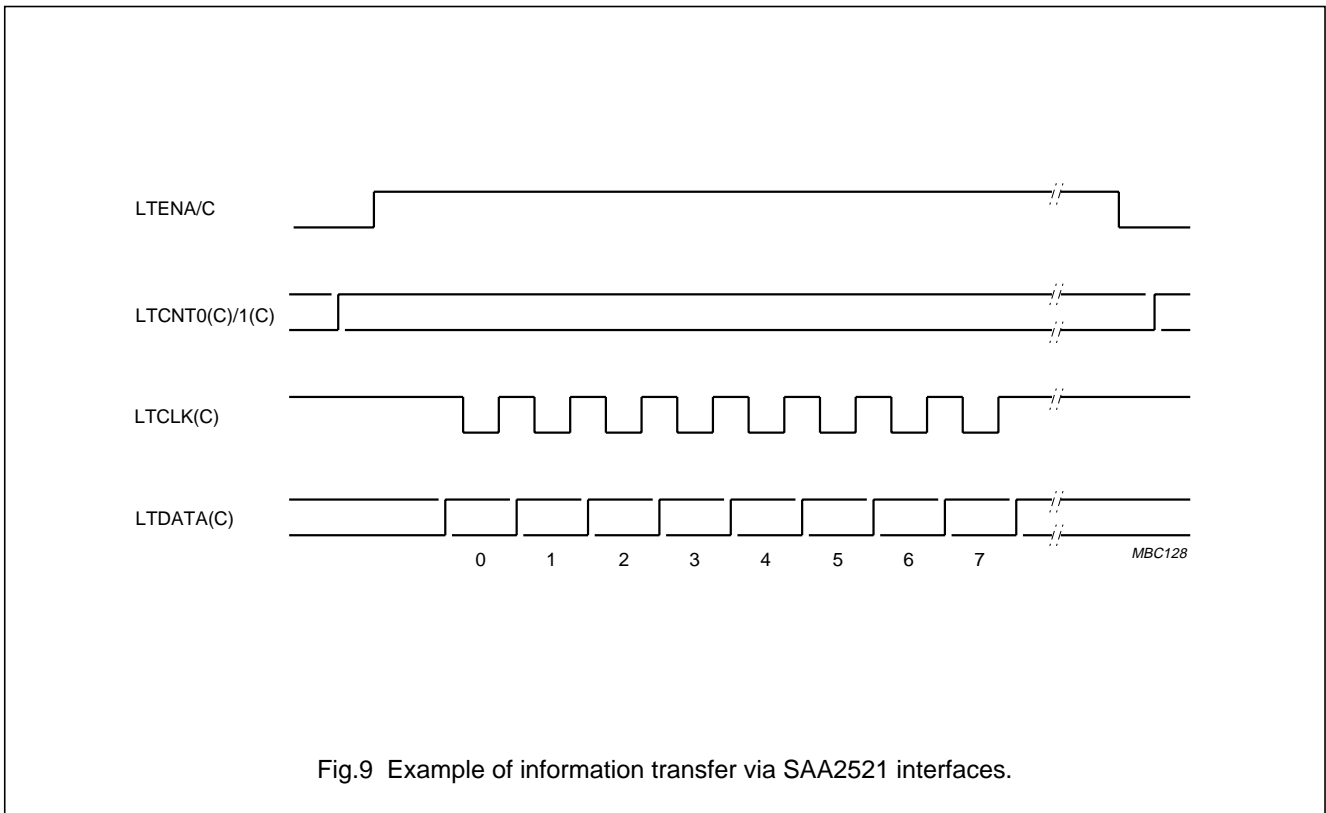
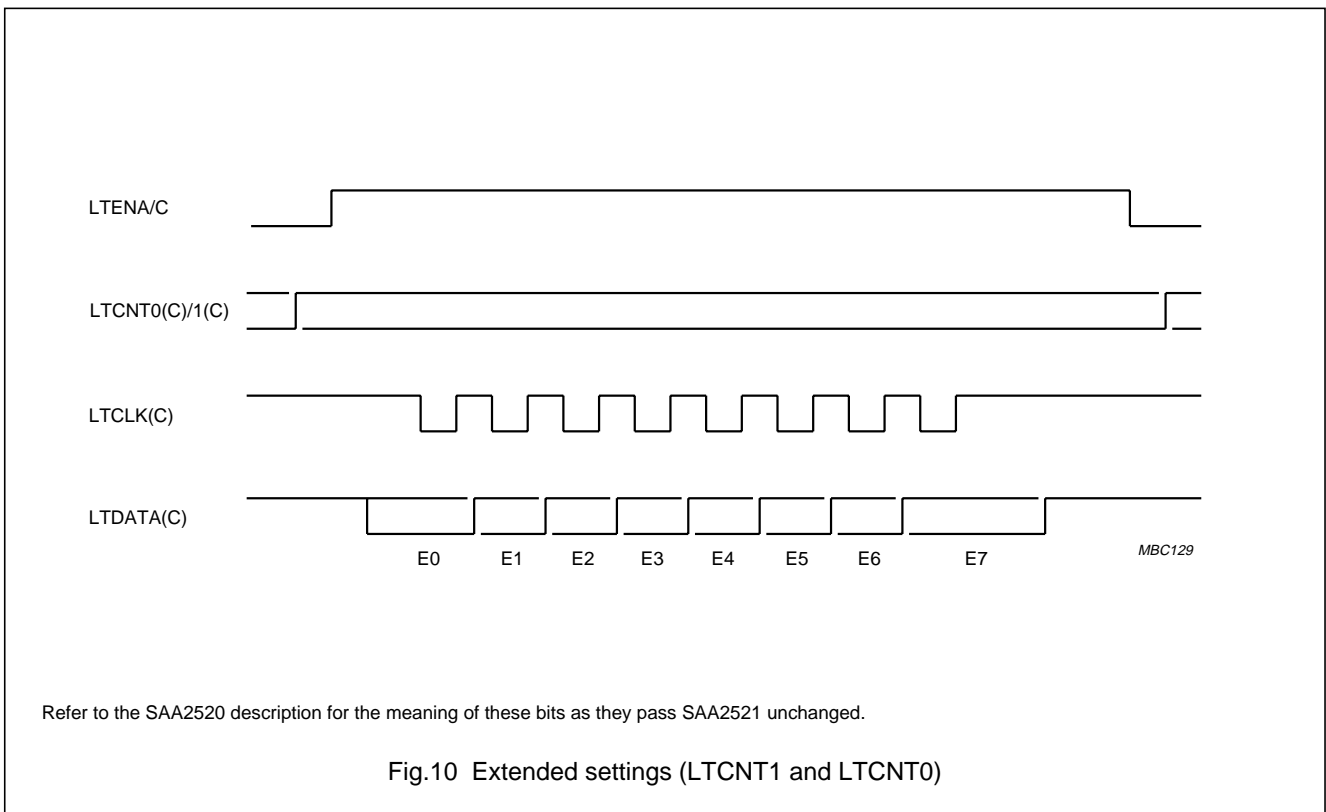


Fig.9 Example of information transfer via SAA2521 interfaces.



Refer to the SAA2520 description for the meaning of these bits as they pass SAA2521 unchanged.

Fig.10 Extended settings (LTCNT1 and LTCNT0)

Masking threshold processor for MPEG layer 1 audio compression applications

SAA2521

Extended settings (LTCNT1(C) = logic 0, LTCNT0(C) = logic 0)

Eight information bits, generated by the microcontroller, are transferred in this mode. The SAA2521 will transfer these bits to the SAA2520 as soon as possible but does not monitor this information.

Fig.10 shows the relationship of the extended settings.

Allocation and SCALING information (LTCNT1C = logic 0, LTCNT0C = logic 1)

In the encoding mode (FDIR = logic 0) the SAA2521 will transfer allocation information to the SAA2520. This will occur once for every SAA2520 frame.

The information will consist of 16 transfers each of 16-bits. To synchronize the SAA2521 operation with that of the SAA2520, following the first 16-bit transfer of allocation data the SAA2521 checks the SAA2520 status to ensure it is ready to receive the remainder of the allocation information. Transfer of allocation data is completed by sending settings. Between 16-bit transfers the LTENC line returns to 0 as shown in Fig.11.

Fig.12 shows the order in which the bits occur on the interface during allocation information transfer.

The 4-bit sub-band allocation unit contains the number of bits allocated to the sub-band MINUS 1. A value of 0000 indicates no bits allocated to that sub-band.

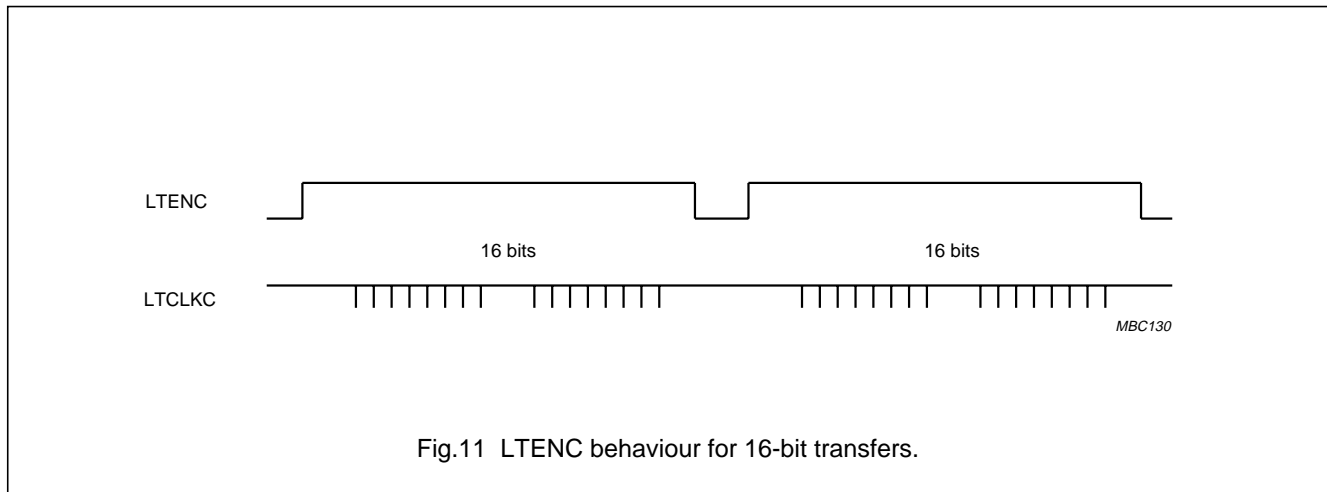


Fig.11 LTENC behaviour for 16-bit transfers.

Table 7 Allocation and SCALING information.

| MSB | | BITS | | LSB | | CHANNEL | SUB-BAND | |
|-----|---|------|---|-----|---|---------|----------|-----------------|
| A15 | – | A14 | – | A13 | – | A12 | L | 2 * COUNT |
| A11 | – | A10 | – | A9 | – | A8 | R | 2 * COUNT |
| A7 | – | A6 | – | A5 | – | A4 | L | (2 * COUNT) + 1 |
| A3 | – | A2 | – | A1 | – | A0 | R | (2 * COUNT) + 1 |

Table 8 Allocation and SCALING information.

| MSB | BITS | | LSB | CHANNEL | CONTENTS |
|------|------|--------------------------|-----|---------|----------------------|
| SL15 | – | SL14 | – | --- | 00 |
| SL13 | – | SL12 - SL11 - SL10 - SL9 | – | SL8 | SCALE FACTOR (COUNT) |
| SL7 | – | SL6 | – | --- | 00 |
| SL5 | – | SL4 - SL3 - SL2 - SL1 | – | SL0 | SCALE FACTOR(COUNT) |

Masking threshold processor for MPEG layer 1 audio compression applications

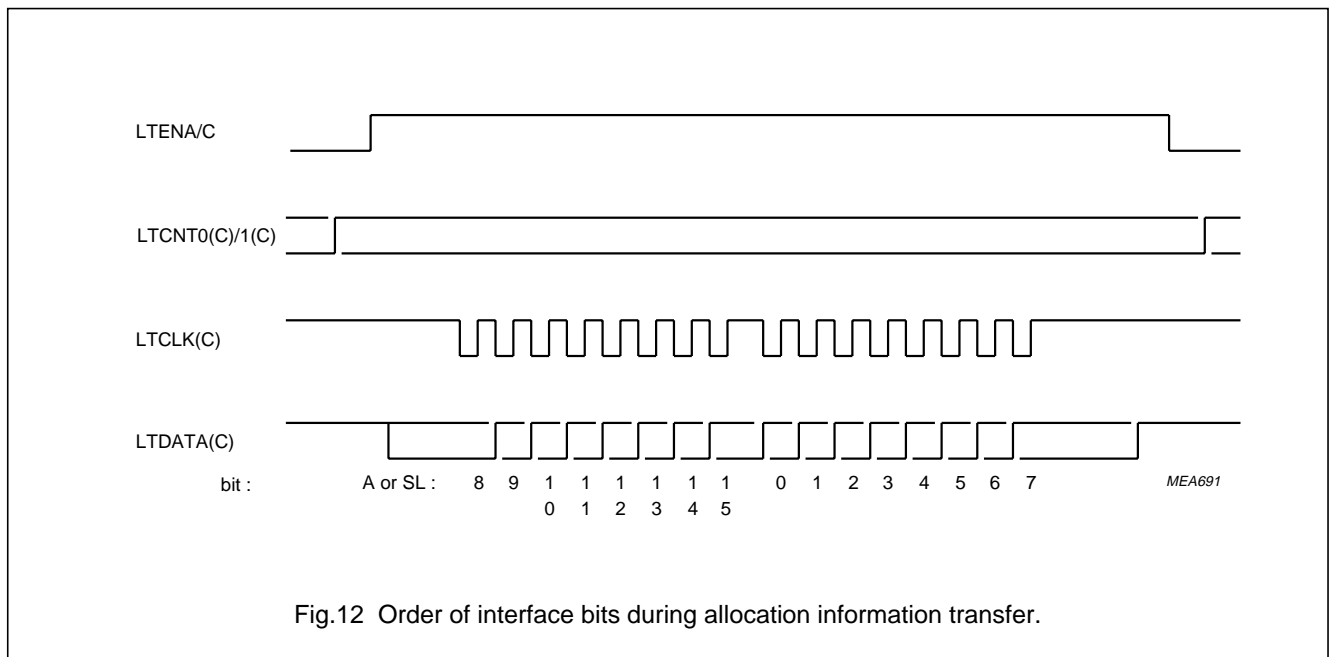
SAA2521

With stereo encoding, Left and Right channels are designated **L** and **R**. This changes to channels I or II for 2-channel mono mode. If SCALE = logic 0 the transfer of allocation information will be followed by the transfer of scale factors. Each 16-bit transfer contains two scale factor indices.

Algorithm showing the process of information transfer:

```

COUNT: = logic 0
SEND ALLOCATION (COUNT)
REPEAT
READ STATUS
UNTIL
READY-TO-RECEIVE
FOR COUNT: = 1 to 15
DO
SEND ALLOCATION (COUNT)
SEND SETTINGS
IF SCALE = logic 0
THEN
FOR COUNT; = logic 0 TO 31
DO
SEND SCALE FACTORS (COUNT)
    
```



Masking threshold processor for MPEG layer 1 audio compression applications

SAA2521

SETTINGS (LTCNT1(C) = logic 1, LTCNT0(C) = logic 0)

Without using the information, the SAA2521 transfers microcontroller settings to the SAA2520.

Prior to sending settings, the microcontroller would utilize the SAA2521 status readings to ensure its readiness to accept and convey the data.

Following reception of the settings the SAA2521 will cause the ready-to-receive bit to be logic 0 until the settings have been sent to the SAA2520. The microcontroller can only send this data when this bit is logic 1.

Fig.13 shows the order of the bits on the interface.

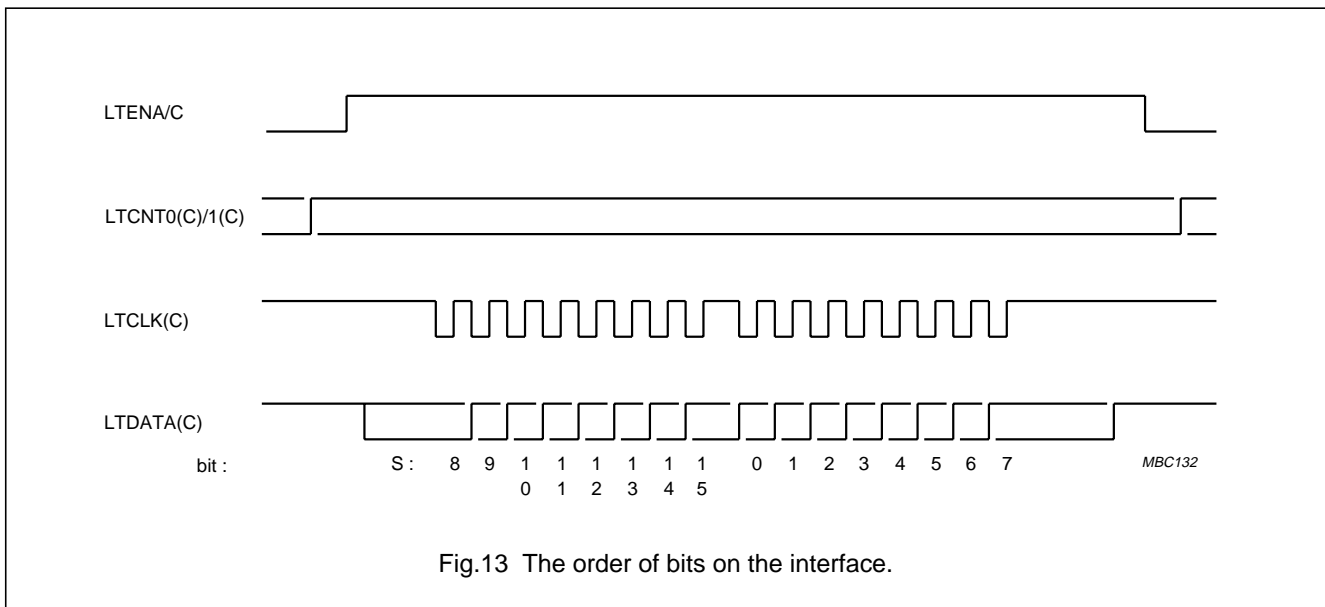


Fig.13 The order of bits on the interface.

Table 9 Microprocessor settings applied to the SAA2520 via the SAA2521.

| MSB | BITS | | | LSB | NAME | FUNCTION | VALID IN |
|-----|------|-----|---|-----------|-----------------------|---------------------------|----------|
| S15 | - | S14 | - | S13 - S12 | bitrate index | bitrate indication | encode |
| S11 | - | | | S10 | sample frequency | 44.1, 48 or 32 kHz indic. | encode |
| S9 | | | | | DECODE | 1 - decode; 0 - encode | enc/dec |
| S8 | | | | | ext 256f _s | 1 - ext; 0 - int | enc/dec |
| S7 | | | | | 2-ch mono | 1 - 2 ch mono; 0 - stereo | encode |
| S6 | | | | | MUTE | 1 - mute; 0 - no mute | enc/dec |
| S5 | | | | | not used | - | enc/dec |
| S4 | | | | | CH I | 1 - CH I; 0 - CH II | decode |
| S3 | - | S2 | | | Tr0 - Tr1 | transparent bits | encode |
| S1 | - | S0 | | | EMPHASIS | emphasis indication | encode |

Masking threshold processor for MPEG layer 1 audio compression applications

SAA2521

Status (LTCNT1(C) = logic 1, LTCNT0(C) = logic 1)

The SAA2520 and SAA2521 operation may be checked by reading these bits. All, except the ready-to-receive bits, are generated by the SAA2520.

The bit rate index indicates the bit rate of the sub-band signal in units of 32 kbits/s. The SAA2521 is designed for bit rates of 384, 256, 192 and 128 kbits/s only.

With EMPHASIS activated (S1 = T1 = 0 and S0 = T0 = 1) only bit rates 384 and 256 kbits/s can be used.

A ready-to-receive **S** or **E** indicates whether or not the SAA2521 can receive new settings or extended settings respectively from the microcontroller and should be checked prior to sending new information.

The SAA2521 can only be used to encode stereo (mode 00) signals and 2-channel mono (mode 10) signals.

During the decoding mode this bit indicates if the operation of the SAA2520 is in synchronization with the MPEG coded signal. Should this not be the case the SAA2520 cannot perform the decoding.

CLKOK indicates whether or not the $F_s/256$ clock corresponds with the specified sample frequency.

EMPHASIS indication may be used to apply correct de-emphasis. During the encoding 50 / 15 μ s mode the SAA2521 will correct the calculated allocation if emphasis is applied for a 44.1 kHz sampling frequency.

Table 10 Order of SAA2520 bits as they appear on the interface (see also Fig.14).

| MSB | BITS | | | LSB | NAME | FUNCTION | VALID IN |
|-----|------|-----|---|-----------|------------------|---------------------------|----------|
| T15 | - | T14 | - | T13 - T12 | bitrate index | bitrate indication | enc/dec |
| T11 | - | T10 | | | sample frequency | 44.1, 48 or 32 kHz indic. | enc/dec |
| T9 | | | | | ready-to-rec S | 1 - ready; 0 - not ready | enc/dec |
| T8 | | | | | ready-to-rec E | 1 - ready; 0 - not ready | enc/dec |
| T7 | - | T6 | | | MODE | sub-band signal mode ID | enc/dec |
| T5 | | | | | SYNC | synchronization indic. | dec |
| T4 | | | | | CLKOK | 1 - OK; 0 - not OK | enc/dec |
| T3 | - | T2 | | | Tr0 - Tr1 | transparent bits | enc/dec |
| T1 | - | T0 | | | EMPHASIS | emphasis indication | enc/dec |

Masking threshold processor for MPEG
layer 1 audio compression applications

SAA2521

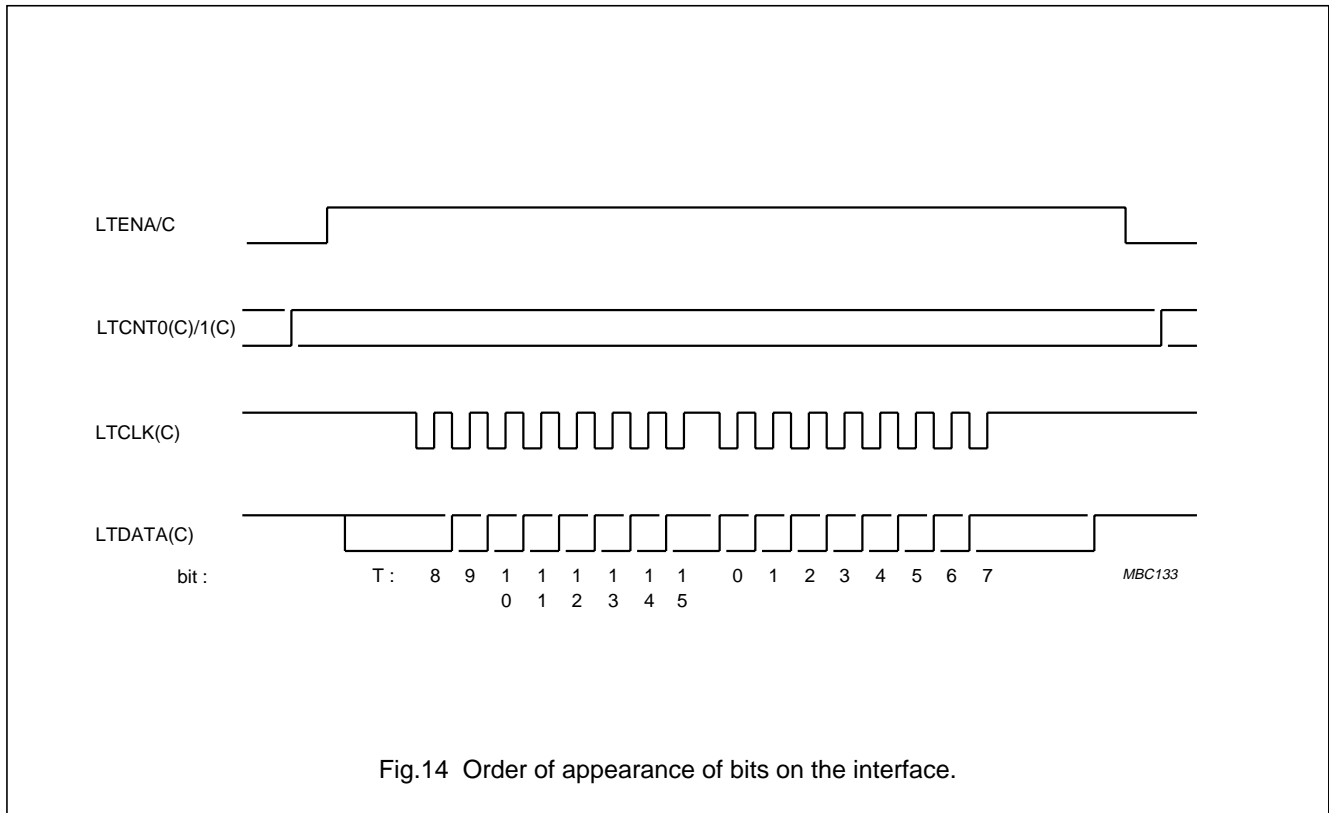


Fig.14 Order of appearance of bits on the interface.

Sample frequency indication.

| MSB | LSB | |
|-----|----------|---------------|
| 00 | 44.1 kHz | default value |
| 01 | 48 kHz | |
| 10 | 32 kHz | |
| 11 | -- | do not use |

MODE identification.

| MSB | LSB | MODE | OUTPUT |
|-----|-----|------------------|---------------------|
| 00 | | stereo | L and R |
| 01 | | joint stereo | L and R |
| 10 | | 2 - channel mono | I or II as selected |
| 11 | | 1 - channel mono | mono, no selection |

Frequency Range Limitation

In encode mode the frequency range will be limited at lower rates. This is implemented by making the samples of higher frequency sub-bands equal to logic 0 before the allocation calculation. This automatically ensures that these sub-bands do not get any bits allocated.

The following table shows the sub-bands affected and the resulting frequency range.

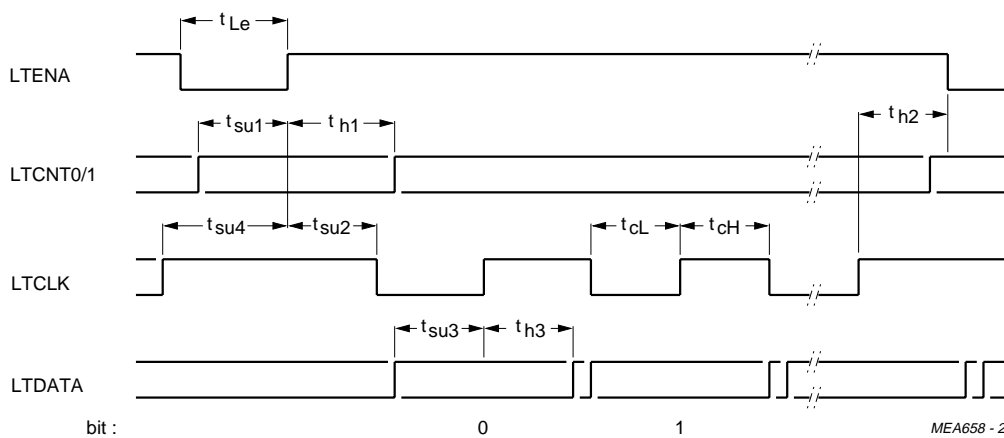
The transfer of either 8-bits or 16-bits is permitted for the transfer of status information. When only 8-bits are transferred, these will always form the first byte and may be used in checking the ready-to-receive bit.

Masking threshold processor for MPEG layer 1 audio compression applications

SAA2521

Table 11 Frequency examples.

| BIT RATE | F _s | SUB-BANDS SET TO 0 | @ FREQUENCY |
|------------|----------------|----------------------|-------------|
| 256 kbit/s | 48 kHz | 29, 30, 31 | > 21750 Hz |
| 192 kbit/s | 48 kHz | 20, 21, ... , 30, 31 | > 15000 |
| | 44.1 kHz | 22, 23, ... , 30, 31 | > 15159 |
| 128 kbit/s | 48 kHz | 12, 13, ... , 30, 31 | > 9000 |
| | 44.1 kHz | 13, 14, ... , 30, 31 | > 8957 |
| | 32 kHz | 20, 21, ... , 30, 31 | >10000 |

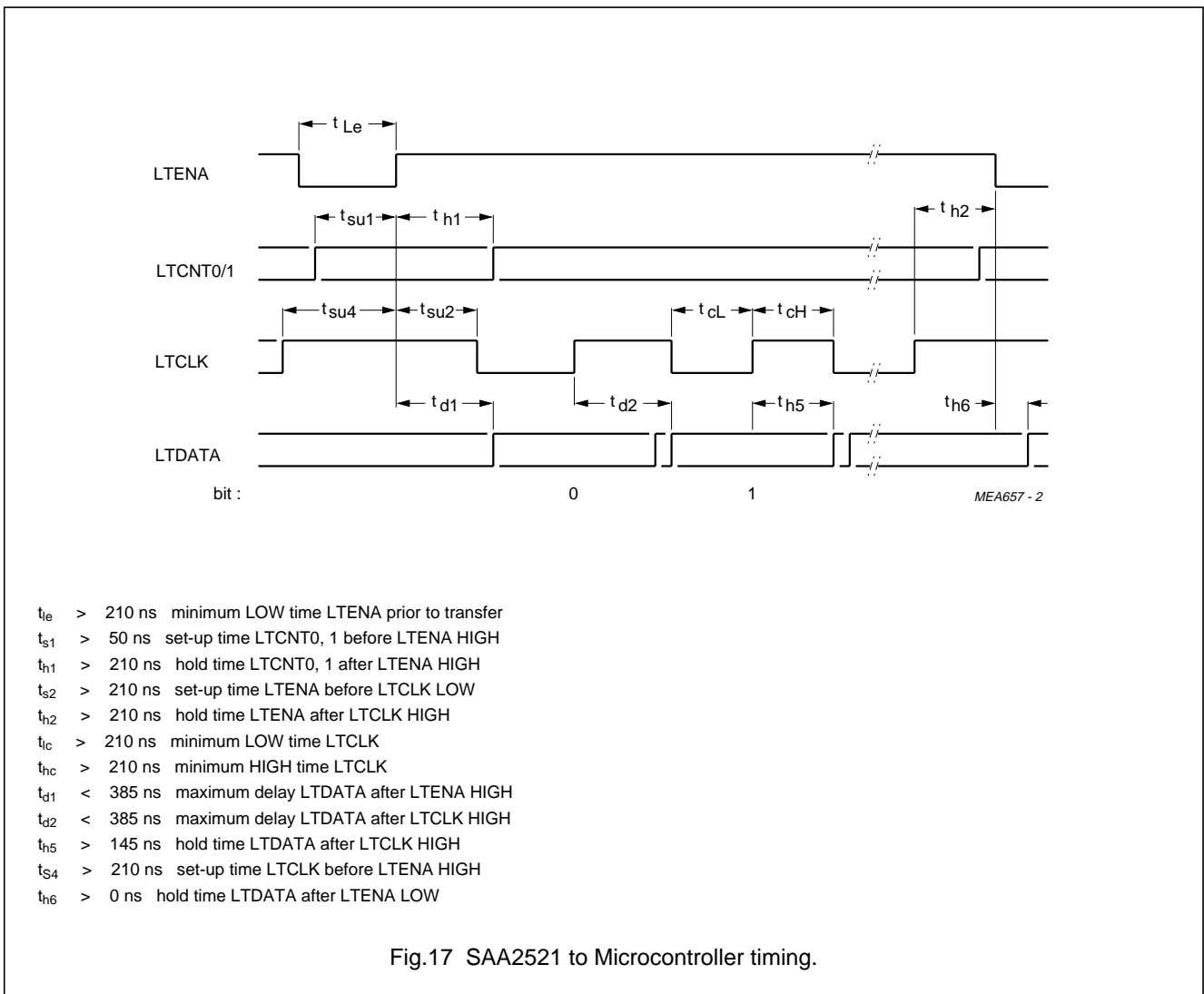
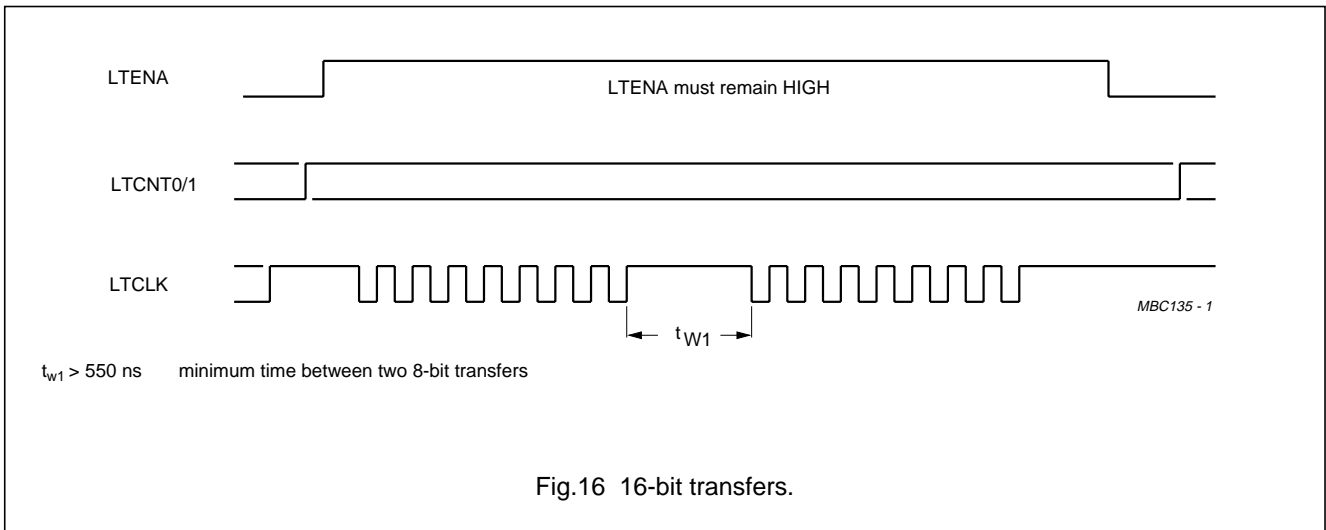


- t_{le} > 210 ns minimum LOW time LTENA prior to transfer
- t_{su1} > 50 ns set-up time LTCNT0, 1 before LTENA HIGH
- t_{h1} > 210 ns hold time LTCNT0, 1 after LTENA HIGH
- t_{su2} > 210 ns set-up time LTENA before LTCLK LOW
- t_{h2} > 210 ns hold time LTENA after LTCLK HIGH
- t_{tc} > 210 ns minimum LOW time LTCLK
- t_{tc} > 210 ns minimum HIGH time LTCLK
- t_{su3} > 210 ns set-up time LTDATA before LTCLK HIGH
- t_{h3} > 50 ns hold time LTDATA after LTCLK HIGH
- t_{su4} > 210 ns set-up time LTCLK before LTENA HIGH

Fig.15 Microcontroller to SAA2521 timing.

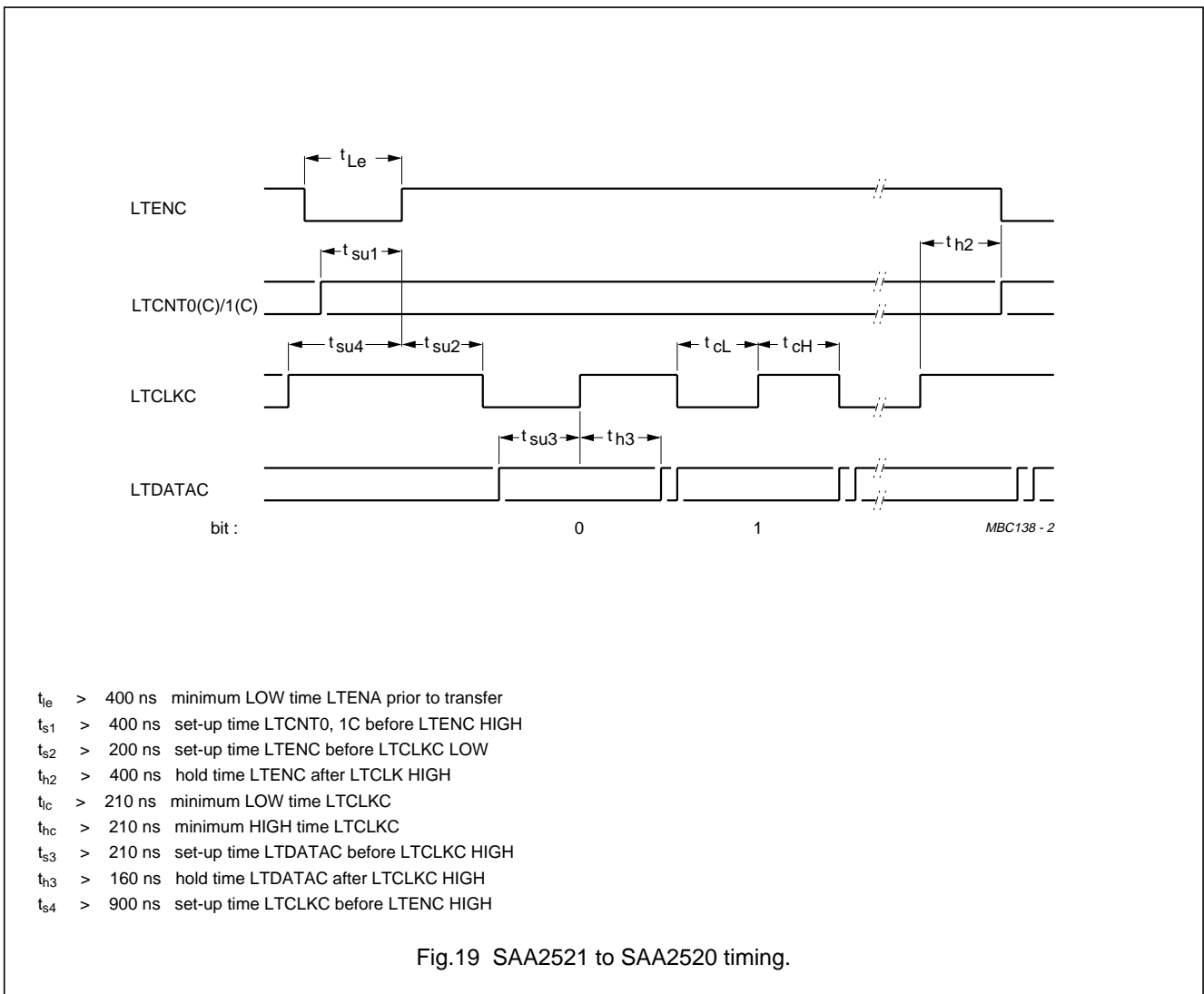
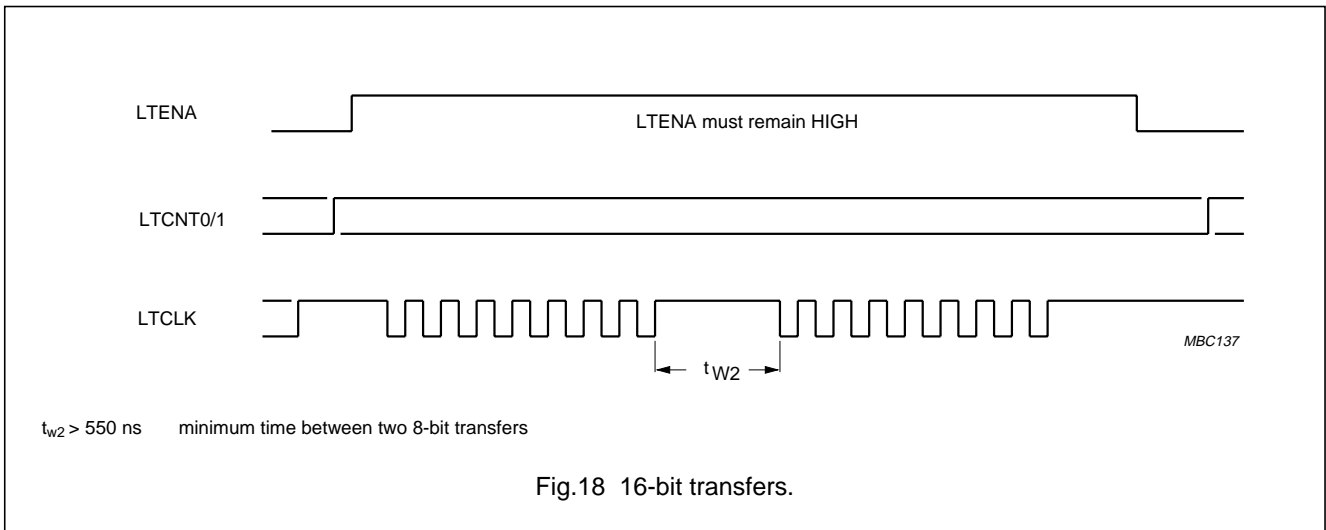
Masking threshold processor for MPEG layer 1 audio compression applications

SAA2521



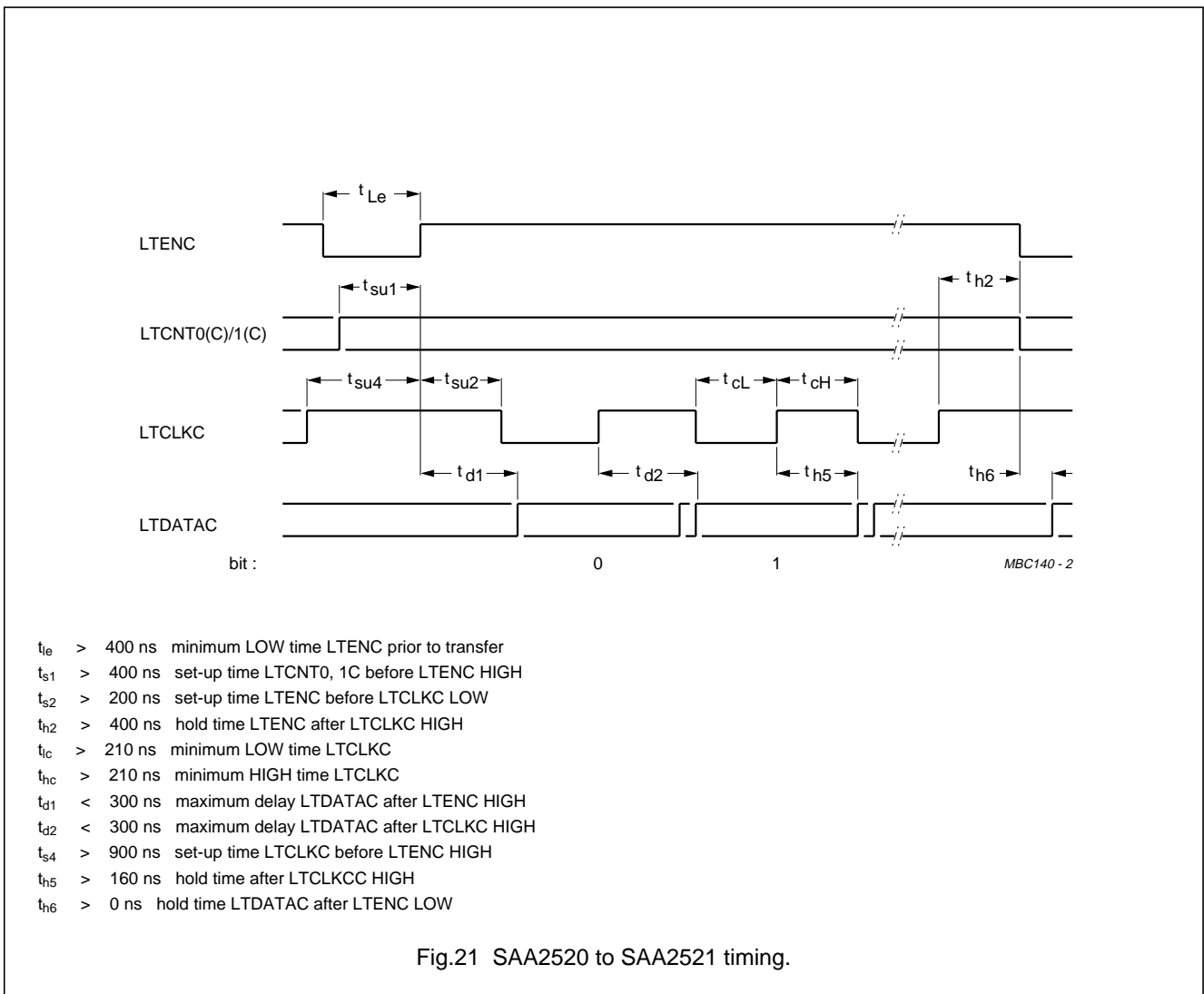
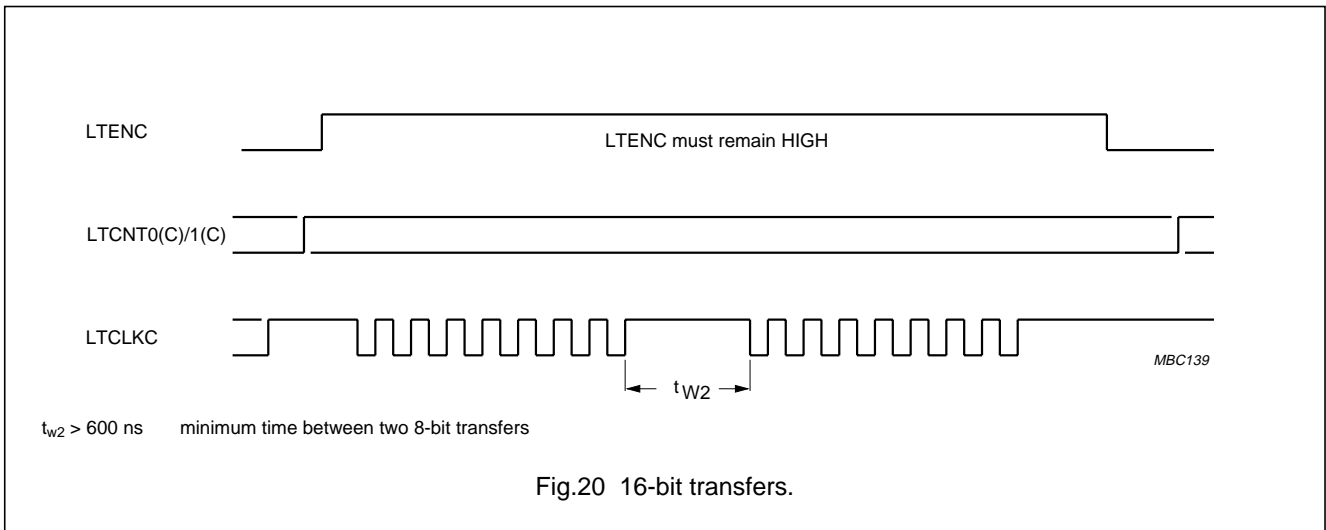
Masking threshold processor for MPEG
layer 1 audio compression applications

SAA2521



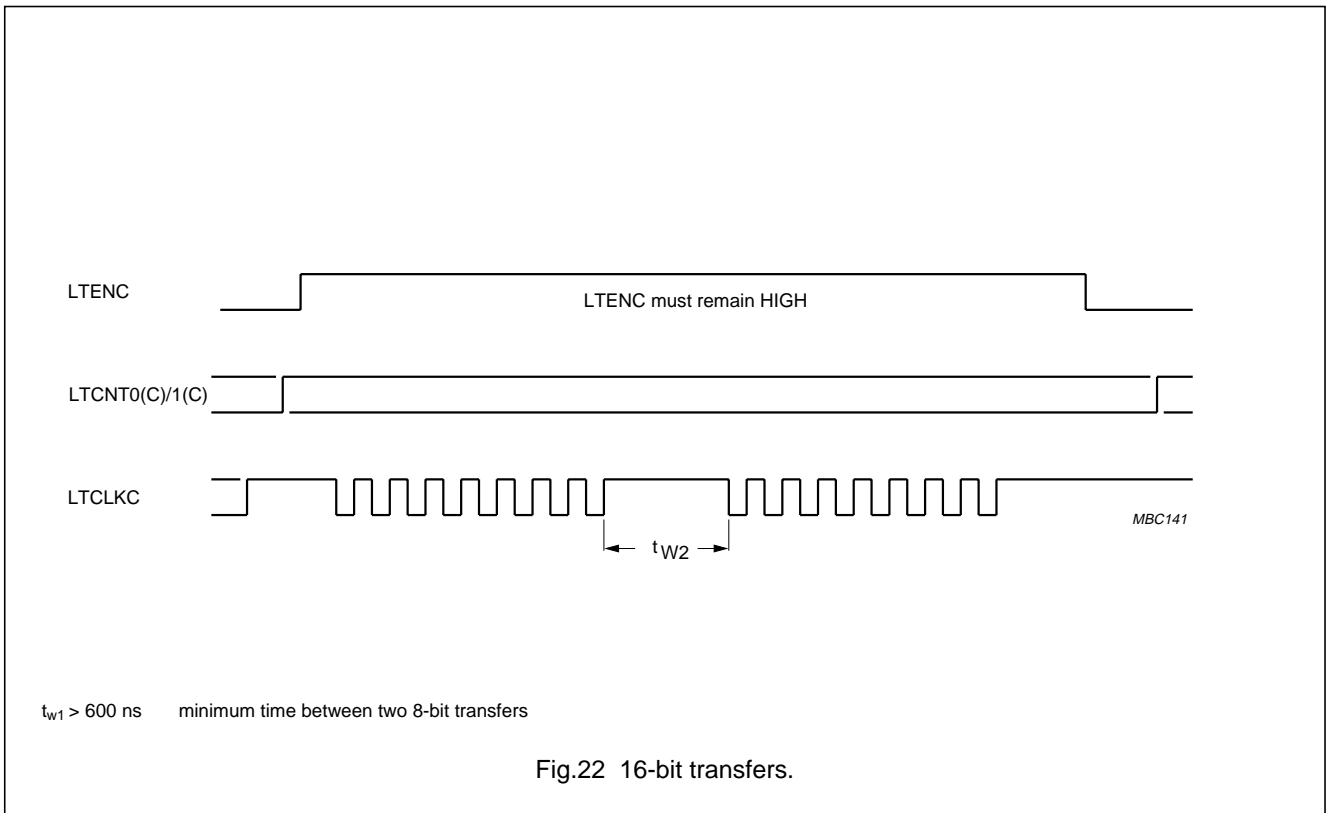
Masking threshold processor for MPEG
layer 1 audio compression applications

SAA2521



Masking threshold processor for MPEG
layer 1 audio compression applications

SAA2521



LIMITING VALUES

In accordance with the Absolute Maximum Rating System (IEC 134).

| SYMBOL | PARAMETER | MIN. | MAX. | UNIT |
|-----------|---------------------------------|-------|----------------|--------------------|
| V_{DD} | supply voltage | -0.5 | 6.5 | V |
| V_I | input voltage (note 1) | -0.5 | $V_{DD} + 0.5$ | V |
| I_{DD} | supply current | - | 100 | mA |
| I_I | input current | - | ± 10 | mA |
| I_o | output current | - | ± 40 | mA |
| P_{tot} | total power dissipation | - | 550 | mW |
| T_{stg} | storage temperature | -55 | + 150 | $^{\circ}\text{C}$ |
| T_{amb} | operating ambient temperature | -40 | + 85 | $^{\circ}\text{C}$ |
| V_{es1} | electrostatic handling (note 2) | -1500 | 1500 | V |
| V_{es2} | electrostatic handling (note 3) | -70 | 70 | V |

Notes

1. Input voltage should not exceed 6.5 V unless otherwise specified.
2. Equivalent to discharging a 100 pF capacitor through a 1.5 k Ω series resistor.
3. Equivalent to discharging a 200 pF capacitor through a 0 Ω series resistor.

Masking threshold processor for MPEG layer 1 audio compression applications

SAA2521

DC CHARACTERISTICS $V_{DD} = 3.8$ to 5.5 V; $T_{amb} = -40$ to 85 °C; unless otherwise specified.

| SYMBOL | PARAMETER | CONDITIONS | MIN. | TYP. | MAX. | UNIT |
|------------------------|---------------------------|----------------------|----------------|------|--------------|---------|
| Supply | | | | | | |
| V_{DD} | supply voltage range | | 3.8 | 5 | 5.5 | V |
| I_{DD} | operating current | $V_{DD} = 3.8$ V | – | 15 | 30 | mA |
| I_{DD} | operating current | $V_{DD} = 5$ V | – | 25 | 50 | mA |
| I_{PWRDWN} | stand-by current | in power-down mode | – | 100 | – | μ A |
| Inputs | | | | | | |
| V_{IL} | LOW level input voltage | | 0 | – | $0.3 V_{DD}$ | V |
| V_{IH} | HIGH level input voltage | | $0.7 V_{DD}$ | – | V_{DD} | V |
| I_I | input current | | – | – | 10 | μ A |
| Outputs | | | | | | |
| V_{OL} | LOW level output voltage | note 1 | – | – | 0.4 | V |
| V_{OH} | HIGH level output voltage | note 1 | $V_{DD} - 0.5$ | – | – | V |
| 3-state outputs | | | | | | |
| I_{oz} | OFF state current | $V_i = 0$ to 5.5 V | – | – | 10 | μ A |

Note

- Maximum load current for LTDATA, LTCNT1C, LTCNT0C, LTENC, LTCLKC, TEST1, TEST2, FDAC, FDAF = 2 mA; for LTDATAAC = 3 mA.

Masking threshold processor for MPEG layer 1 audio compression applications

SAA2521

AC CHARACTERISTICS $V_{DD} = 3.8$ to 5.5 V; $T_{amb} = -40$ to 85 °C.

| SYMBOL | PARAMETER | CONDITIONS | MIN. | TYP. | MAX. | UNIT |
|---|---|-----------------------|------|--------|------|------|
| CLOCK CLK24 | | | | | | |
| f_s | frequency | | 23 | 24.576 | 26 | MHz |
| CLOCK F_s256 | | | | | | |
| f_s | frequency | $f_s = 48$ kHz | – | – | 13 | MHz |
| Inputs FSYNC, SWS, LTCNT1, LTCNT0, LTENA, LTCLK, LTDATA, LTDATAC, FDAF, FDAC, SCL, SWS | | | | | | |
| C_i | input capacitance | | – | – | 10 | pF |
| INPUT SET-UP TIME | | | | | | |
| t_{SU} | set-up time of inputs related to CLK24 rising edge | note 1 | 15 | – | – | ns |
| t_{SU} | set-up time of inputs related to $256f_s$ rising edge | note 2 | 15 | – | – | ns |
| INPUT HOLD TIME | | | | | | |
| t_{HD} | hold time of inputs related to CLK24 rising edge | note 1 | 20 | – | – | ns |
| t_{HD} | hold time of inputs related to $256f_s$ rising edge | note 2 | 10 | – | – | ns |
| Outputs LTDATA, LTDATAC, LTCNT1C, LTCNT0C, LTENC, LTCLKC, FDAF, FDAC | | | | | | |
| C_o | output capacitance | | – | – | 10 | pF |
| t_d | output delay time related to CLK24 rising edge | $C_L = 25$ pF; note 3 | – | – | 45 | ns |
| t_d | output delay time related to $256f_s$ rising edge | $C_L = 25$ pF; note 4 | – | – | 30 | ns |
| 3-state outputs | | | | | | |
| t_{PHZ} | disable time HIGH-to-Z | $C_L = 25$ pF | – | – | 65 | ns |
| t_{PLZ} | disable time LOW-to-Z | $C_L = 25$ pF | – | – | 65 | ns |
| t_{PZH} | enable time Z-to-HIGH | $C_L = 25$ pF | – | – | 65 | ns |
| t_{PZL} | enable time Z-to-LOW | $C_L = 25$ pF | – | – | 65 | ns |

Notes

- Inputs FSYNC, SWS, LTCNT1, LTCNT0, LTENA, LTCLK, LTDATA, LTDATAC
- Inputs FDAF, FDAC, SCL, SWS
- Outputs LTDATA, LTDATAC, LTCNT1C, LTCNT0C, LTENC, LTCLK
- Outputs FDAF, FDAC

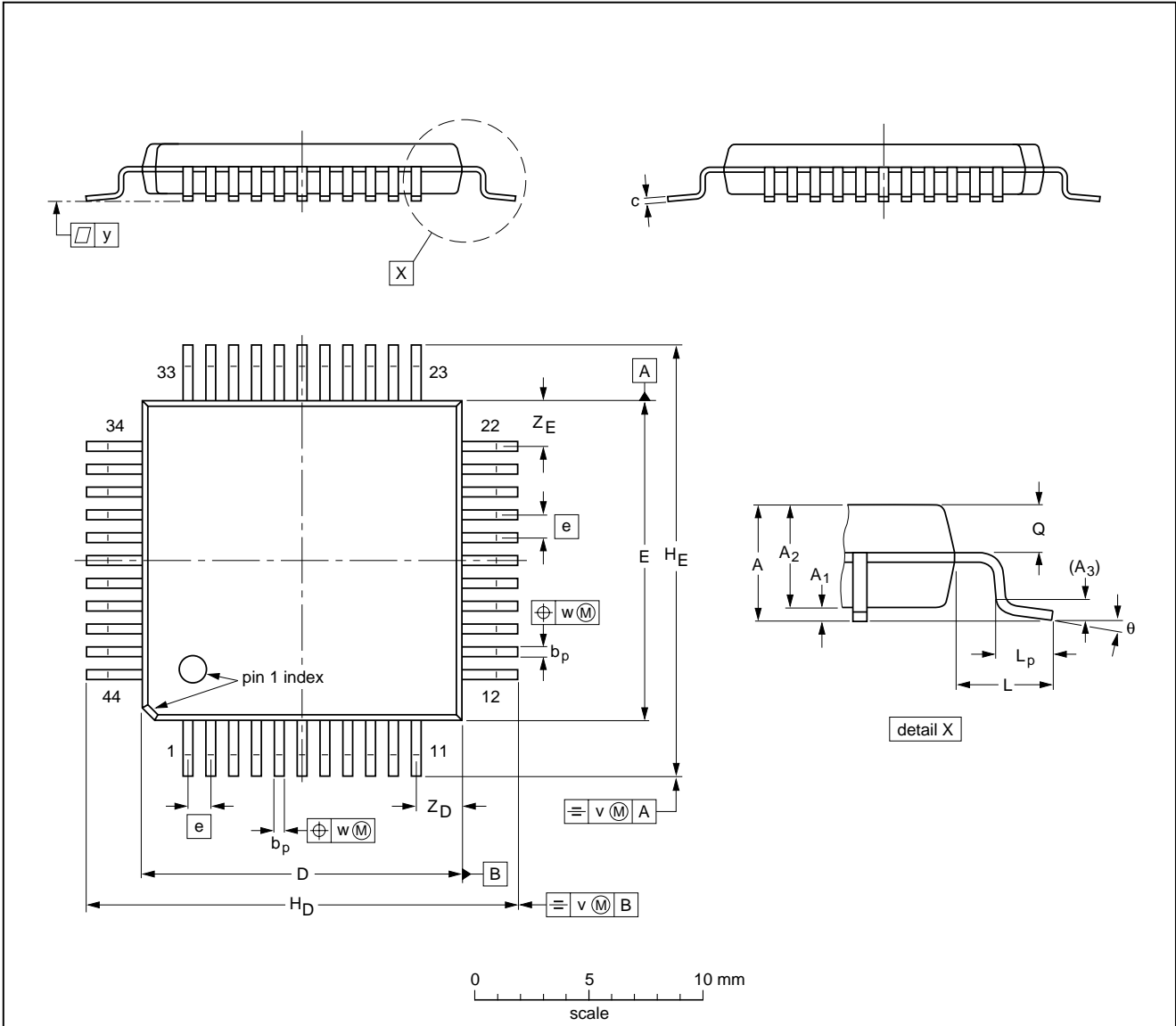
Masking threshold processor for MPEG
layer 1 audio compression applications

SAA2521

PACKAGE OUTLINE

QFP44: plastic quad flat package; 44 leads (lead length 2.35 mm); body 14 x 14 x 2.2 mm

SOT205-1



DIMENSIONS (mm are the original dimensions)

| UNIT | A max. | A ₁ | A ₂ | A ₃ | b _p | c | D ⁽¹⁾ | E ⁽¹⁾ | e | H _D | H _E | L | L _p | Q | v | w | y | Z _D ⁽¹⁾ | Z _E ⁽¹⁾ | θ |
|------|--------|----------------|----------------|----------------|----------------|--------------|------------------|------------------|---|----------------|----------------|------|----------------|------------|-----|------|-----|-------------------------------|-------------------------------|----------|
| mm | 2.60 | 0.25 0.05 | 2.3 2.1 | 0.25 | 0.50 0.35 | 0.25 0.14 | 14.1 13.9 | 14.1 13.9 | 1 | 19.2 18.2 | 19.2 18.2 | 2.35 | 2.0 1.2 | 1.2 0.9 | 0.3 | 0.15 | 0.1 | 2.4 1.8 | 2.4 1.8 | 7° 0° |

Note

1. Plastic or metal protrusions of 0.25 mm maximum per side are not included.

| OUTLINE VERSION | REFERENCES | | | | EUROPEAN PROJECTION | ISSUE DATE |
|-----------------|------------|-------|------|--|---------------------|----------------------|
| | IEC | JEDEC | EIAJ | | | |
| SOT205-1 | 133E01A | | | | | 92-11-17 95-02-04 |

Masking threshold processor for MPEG layer 1 audio compression applications

SAA2521

SOLDERING

Introduction

There is no soldering method that is ideal for all IC packages. Wave soldering is often preferred when through-hole and surface mounted components are mixed on one printed-circuit board. However, wave soldering is not always suitable for surface mounted ICs, or for printed-circuits with high population densities. In these situations reflow soldering is often used.

This text gives a very brief insight to a complex technology. A more in-depth account of soldering ICs can be found in our "IC Package Databook" (order code 9398 652 90011).

Reflow soldering

Reflow soldering techniques are suitable for all QFP packages.

The choice of heating method may be influenced by larger plastic QFP packages (44 leads, or more). If infrared or vapour phase heating is used and the large packages are not absolutely dry (less than 0.1% moisture content by weight), vaporization of the small amount of moisture in them can cause cracking of the plastic body. For more information, refer to the Drypack chapter in our "Quality Reference Handbook" (order code 9397 750 00192).

Reflow soldering requires solder paste (a suspension of fine solder particles, flux and binding agent) to be applied to the printed-circuit board by screen printing, stencilling or pressure-syringe dispensing before package placement.

Several techniques exist for reflowing; for example, thermal conduction by heated belt. Dwell times vary between 50 and 300 seconds depending on heating method. Typical reflow temperatures range from 215 to 250 °C.

Preheating is necessary to dry the paste and evaporate the binding agent. Preheating duration: 45 minutes at 45 °C.

Wave soldering

Wave soldering is **not** recommended for QFP packages. This is because of the likelihood of solder bridging due to closely-spaced leads and the possibility of incomplete solder penetration in multi-lead devices.

If wave soldering cannot be avoided, the following conditions must be observed:

- **A double-wave (a turbulent wave with high upward pressure followed by a smooth laminar wave) soldering technique should be used.**
- **The footprint must be at an angle of 45° to the board direction and must incorporate solder thieves downstream and at the side corners.**

Even with these conditions, do not consider wave soldering the following packages: QFP52 (SOT379-1), QFP100 (SOT317-1), QFP100 (SOT317-2), QFP100 (SOT382-1) or QFP160 (SOT322-1).

During placement and before soldering, the package must be fixed with a droplet of adhesive. The adhesive can be applied by screen printing, pin transfer or syringe dispensing. The package can be soldered after the adhesive is cured.

Maximum permissible solder temperature is 260 °C, and maximum duration of package immersion in solder is 10 seconds, if cooled to less than 150 °C within 6 seconds. Typical dwell time is 4 seconds at 250 °C.

A mildly-activated flux will eliminate the need for removal of corrosive residues in most applications.

Repairing soldered joints

Fix the component by first soldering two diagonally-opposite end leads. Use only a low voltage soldering iron (less than 24 V) applied to the flat part of the lead. Contact time must be limited to 10 seconds at up to 300 °C. When using a dedicated tool, all other leads can be soldered in one operation within 2 to 5 seconds between 270 and 320 °C.

Masking threshold processor for MPEG layer 1 audio compression applications

SAA2521

DEFINITIONS

| | |
|---|---|
| Data sheet status | |
| Objective specification | This data sheet contains target or goal specifications for product development. |
| Preliminary specification | This data sheet contains preliminary data; supplementary data may be published later. |
| Product specification | This data sheet contains final product specifications. |
| Limiting values | |
| Limiting values given are in accordance with the Absolute Maximum Rating System (IEC 134). Stress above one or more of the limiting values may cause permanent damage to the device. These are stress ratings only and operation of the device at these or at any other conditions above those given in the Characteristics sections of the specification is not implied. Exposure to limiting values for extended periods may affect device reliability. | |
| Application information | |
| Where application information is given, it is advisory and does not form part of the specification. | |

LIFE SUPPORT APPLICATIONS

These products are not designed for use in life support appliances, devices, or systems where malfunction of these products can reasonably be expected to result in personal injury. Philips customers using or selling these products for use in such applications do so at their own risk and agree to fully indemnify Philips for any damages resulting from such improper use or sale.